

Frame Round / Wall Frame Round Maxi



220-240V, 50/60Hz

<p>Frame Round/Wall</p> <p>Frame Round Maxi</p>	
<ul style="list-style-type: none"> 0,5 - 1,0 mm² 8 mm 1,5 - 2,5 mm² 12 mm 	
	<p>Frame Sensor</p>
<p>NO: Skru av strømmen før montering. DK: Sluk for strømmen inden montering. SE: Stäng av strømmen innan montering. EN: Turn off power before installing. FR: Couper le courant avant l'installation. NL: Stroom uitschakelen voor u het toestel installeert. DE: Vor Installationsarbeiten den Strom abschalten. FI: Sammuta virta ennen kytkemistä</p>	<p>NO: Kan kun installeres og vedlikeholdes av en registrert installasjonsvirksomhet. DK: Må kun installeres og vedligeholdes af uddannet elektriker. SE: Skall installeras och underhållas av behörig elektriker. EN: Only to be installed and maintained by an authorized electrician. FR: Doit être installé et maintenu par un électricien qualifié. NL: Mag alleen geïnstalleerd en onderhouden worden door een bevoegde electricien. DE: Dieses Produkt darf nur durch autorisiertes Personal (z.B. Elektro-Installateur) angeschlossen, in Betrieb genommen und gewartet werden. FI: Asentaa ja huoltaa saa vain valtuutettu sähköasentaja</p>

NORWAY
SG Armaturen AS

Skytterheia 25
N-4790 Lillesand

Tel: +47 37 50 03 00
firmapost@sg-as.no
www.sg-as.no

SWEDEN

SG Armaturen AB
Tel: +46 31 81 71 10
info@sg-ab.se
www.sg-ab.se

FINLAND

SG Armaturen Oy
Tel: +358 02 07 30 39 60
info@sg-oy.fi
www.sg-oy.fi

DENMARK

SG Armaturen A/S
Tel: +45 70 70 72 13
info@sg-as.dk
www.sg-as.dk

UNITED KINGDOM

SG Lighting LTD
Tel: +47 37 50 03 00
info@sglighting.co.uk
www.sglighting.co.uk

FRANCE

SG Lighting SA/NV
Tel: +33(0) 4 94 93 00 00
info.france@sglighting.fr
www.sglighting.net

BENELUX

SG Lighting SA/NV
Tel: +32(0) 15 20 72 71
info.benelux@sglighting.net
www.sglighting.net

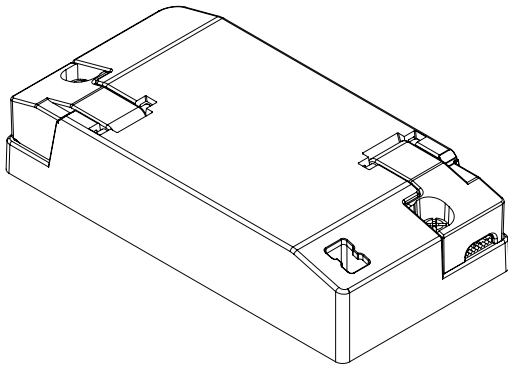
GERMANY

SG Leuchten GmbH
Tel: +49 40 23 99 44 59
info@sg-leuchten.de
www.sg-leuchten.de

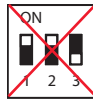
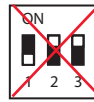
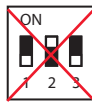
INTERNATIONAL

SG Lighting Co Ltd.
Tel: +86 769 88 49 20 88
cindy@sgdgc.com
www.sg-as.com

Dipswitch

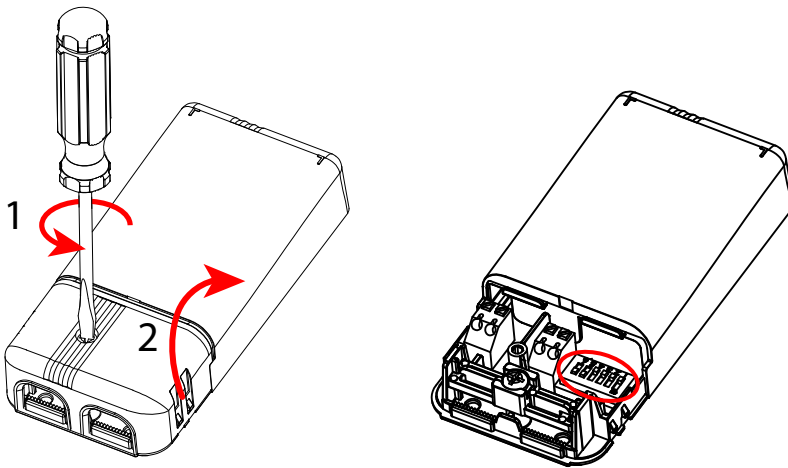


Standard



mA	200	250	300	350	400	450
Im	100%	125%	-	-	-	-

Frame Round/Wall



mA	250	300	350	400	450	500
Im	42%	50%	58%	67%	75%	83%

Frame Round Maxi

Standard



mA	550	600	650	700	750-900	12/24/28V
Im	92%	100%	108%	-	-	-

ELP Emergency



3h: LDM90HOST + B084

1h: LDM90HOST/1HR + B068

220-240V, 50/60Hz, Self-test



<p>Installation/Replacement of battery</p> <p>Date Sign. <i>Signature</i></p> <p>Date Sign.</p>														
		<p>✓ +0°</p> <p>✗ -0°</p> <p>Please also consider local requirements.</p>												
<table border="1" style="width: 100%; border-collapse: collapse;"> <tr> <td style="text-align: center;"></td> <td>System OK/mains operation mode</td> </tr> <tr> <td style="text-align: center;"></td> <td>Duration test/comissioning</td> </tr> <tr> <td style="text-align: center;"></td> <td>Function test</td> </tr> <tr> <td style="text-align: center;"></td> <td>LED luminaire fault</td> </tr> <tr> <td style="text-align: center;"></td> <td>Battery/test failure</td> </tr> <tr> <td style="text-align: center;"></td> <td>Battery charging failure</td> </tr> </table>		System OK/mains operation mode		Duration test/comissioning		Function test		LED luminaire fault		Battery/test failure		Battery charging failure		
	System OK/mains operation mode													
	Duration test/comissioning													
	Function test													
	LED luminaire fault													
	Battery/test failure													
	Battery charging failure													

Rev: 28.05.2019

NORWAY SG Armaturen AS
Tlf: +47 37 50 03 00
firmapost@sg-as.no
www.sg-as.no

SWEDEN SG Armaturen AB
Tel: +46 31 81 71 10
info@sg-ab.se
www.sg-ab.se

FRANCE SG Lighting SA/NV
Tel: +33(0) 4 94 93 00 00
info.france@silighting.fr
www.silighting.net

GERMANY SG Leuchten GmbH
Tel: +49 40 23 99 44 59
info@sg-leuchten.de
www.sg-leuchten.de

DENMARK SG Armaturen A/S
Tel: +45 70 70 72 13
info@sg-as.dk
www.sg-as.dk

FINLAND SG Armaturen Oy
info@sg-oy.fi
www.sg-oy.fi

BENELUX SG Lighting SA/NV
Tel: +32(0) 15 20 72 71
info.benelux@silighting.net
www.silighting.net

INTERNATIONAL SG Lighting Co Ltd.
Tel: +86 769 88 49 20 88
cindy@sgdgc.com
www.sg-as.com

